

REMOVAL NOTES (THIS SHEET ONLY):

- 1** REMOVE EXISTING THERMOPLASTIC PAVEMENT MARKING
- 2** REMOVE AND SALVAGE EXISTING R6-1 WITH W2-6 SIGN AND POST
- 3** REMOVE AND SALVAGE EXISTING R1-2 SIGN AND POST
- 4** REMOVE AND SALVAGE EXISTING W2-6 SIGN AND POST
- 5** REMOVE EXISTING ASPHALT SPEED HUMP

NOTES:

- 1. ALL EXISTING UTILITIES WERE PLOTTED FROM RECORD INFORMATION AND FIELD TOPOGRAPHY. ACTUAL LOCATIONS MAY VARY AND ADDITIONAL CROSSINGS MAY EXIST IN THE FIELD. IT IS IMPERATIVE THAT "U.S.A. LOCATING SERVICES" LOCATE AND MARK EXISTING UTILITIES PRIOR TO THE START OF EXCAVATION.
- 2. THE CONTRACTOR SHALL USE EXTREME CAUTION WHEN EXPOSING EXISTING UTILITY CROSSINGS AND SERVICES.
- 3. ANY DAMAGE TO EXISTING UTILITIES WILL BE THE SOLE RESPONSIBILITY OF THE CONTRACTOR.



Know what's below.
Call before you dig.



ADVANCED MOBILITY GROUP
3003 OAK ROAD, SUITE 100
WALNUT CREEK, CA 94597

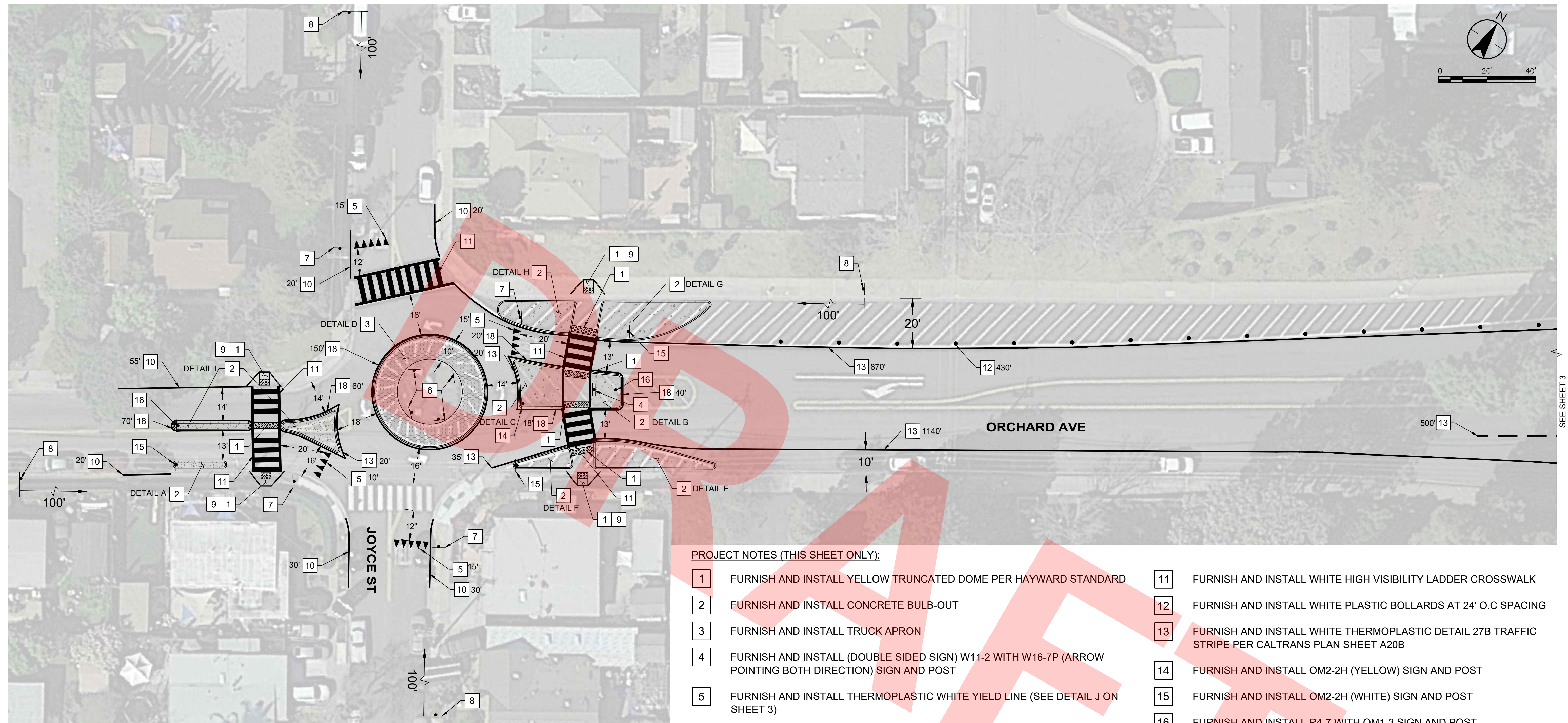
DESIGNED	R.SABINIANO				
DRAWN	R.SABINIANO				
CHECKED	C.HIGBEE				
DATE	9/15/2023				
SCALE	1:20	NO.	REVISION	BY	APP.

BENCHMARK

DESIGN CONCEPT
ORCHARD AVE & JOYCE ST REMOVAL PLAN

CITY OF HAYWARD
PUBLIC WORKS DEPARTMENT

PJ NO.
SHEET 1 OF 6
DWG.



PROJECT NOTES (THIS SHEET ONLY):

- 1** FURNISH AND INSTALL YELLOW TRUNCATED DOME PER HAYWARD STANDARD
- 2** FURNISH AND INSTALL CONCRETE BULB-OUT
- 3** FURNISH AND INSTALL TRUCK APRON
- 4** FURNISH AND INSTALL (DOUBLE SIDED SIGN) W11-2 WITH W16-7P (ARROW POINTING BOTH DIRECTION) SIGN AND POST
- 5** FURNISH AND INSTALL THERMOPLASTIC WHITE YIELD LINE (SEE DETAIL J ON SHEET 3)
- 6** FURNISH AND INSTALL R6-4 SIGN AND POST
- 7** FURNISH AND INSTALL R1-2 SIGN AND POST
- 8** FURNISH AND INSTALL W2-6 WITH W13-1P (25MPH) (100' ADVANCE PLACEMENT) SIGN AND POST
- 9** FURNISH AND INSTALL ADA CURB RAMP CASE A PER HAYWARD STANDARD
- 10** FURNISH AND INSTALL RED CURB PAINT
- 11** FURNISH AND INSTALL WHITE HIGH VISIBILITY LADDER CROSSWALK
- 12** FURNISH AND INSTALL WHITE PLASTIC BOLLARDS AT 24' O.C SPACING
- 13** FURNISH AND INSTALL WHITE THERMOPLASTIC DETAIL 27B TRAFFIC STRIPE PER CALTRANS PLAN SHEET A20B
- 14** FURNISH AND INSTALL OM2-2H (YELLOW) SIGN AND POST
- 15** FURNISH AND INSTALL OM2-2H (WHITE) SIGN AND POST
- 16** FURNISH AND INSTALL R4-7 WITH OM1-3 SIGN AND POST
- 17** FURNISH AND INSTALL WHITE THERMOPLASTIC DETAIL 9 TRAFFIC STRIPE PER CALTRANS PLAN A20A
- 18** FURNISH AND INSTALL YELLOW THERMOPLASTIC DETAIL 25A TRAFFIC STRIPE PER CALTRANS PLAN SHEET A20B.

NOTES:
 1. ALL EXISTING UTILITIES WERE PLOTTED FROM RECORD INFORMATION AND FIELD TOPOGRAPHY. ACTUAL LOCATIONS MAY VARY AND ADDITIONAL CROSSINGS MAY EXIST IN THE FIELD. IT IS IMPERATIVE THAT U.S.A. LOCATING SERVICES' LOCATE AND MARK EXISTING UTILITIES PRIOR TO THE START OF EXCAVATION.
 2. THE CONTRACTOR SHALL USE EXTREME CAUTION WHEN EXPOSING EXISTING UTILITY CROSSINGS AND SERVICES.
 3. ANY DAMAGE TO EXISTING UTILITIES WILL BE THE SOLE RESPONSIBILITY OF THE CONTRACTOR.



ADVANCED MOBILITY GROUP
 3003 OAK ROAD, SUITE 100
 WALNUT CREEK, CA 94597

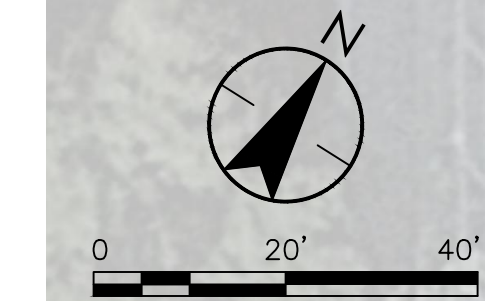
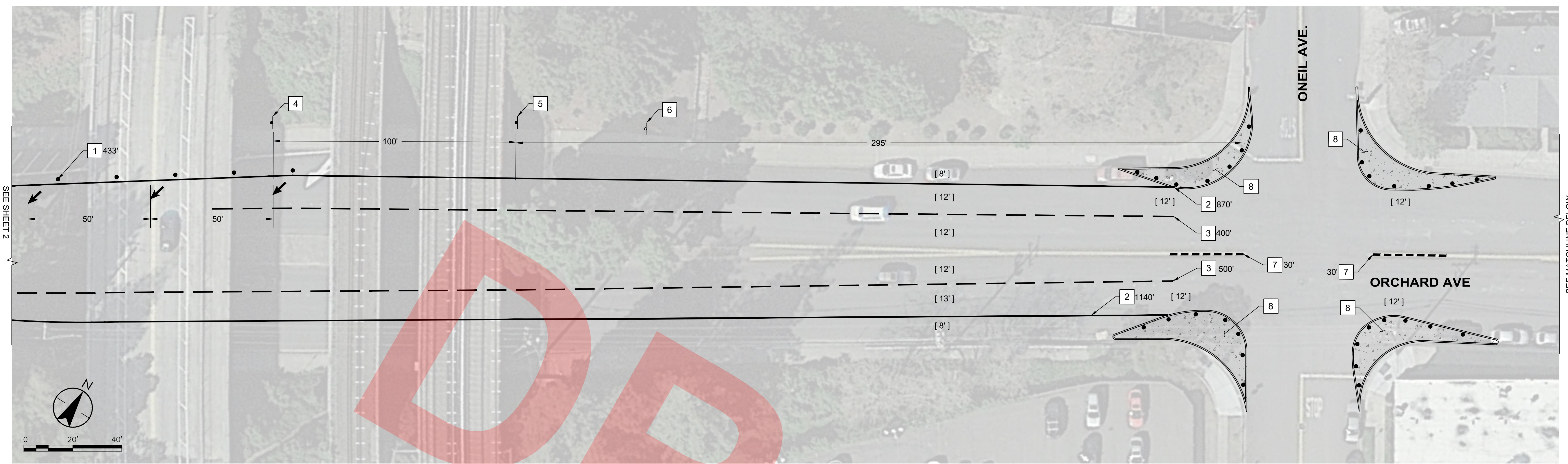
DESIGNED	R.SABINIANO				
DRAWN	R.SABINIANO				
CHECKED	C.HIGBEE				
DATE	9/15/2023				
SCALE	1:20	NO.	REVISION	BY	APP.

BENCHMARK

DESIGN CONCEPT
 ORCHARD AVE & JOYCE ST IMPROVEMENT PLAN

CITY OF HAYWARD
 PUBLIC WORKS DEPARTMENT

PJ NO.
 SHEET 2 OF 6
 DWG.



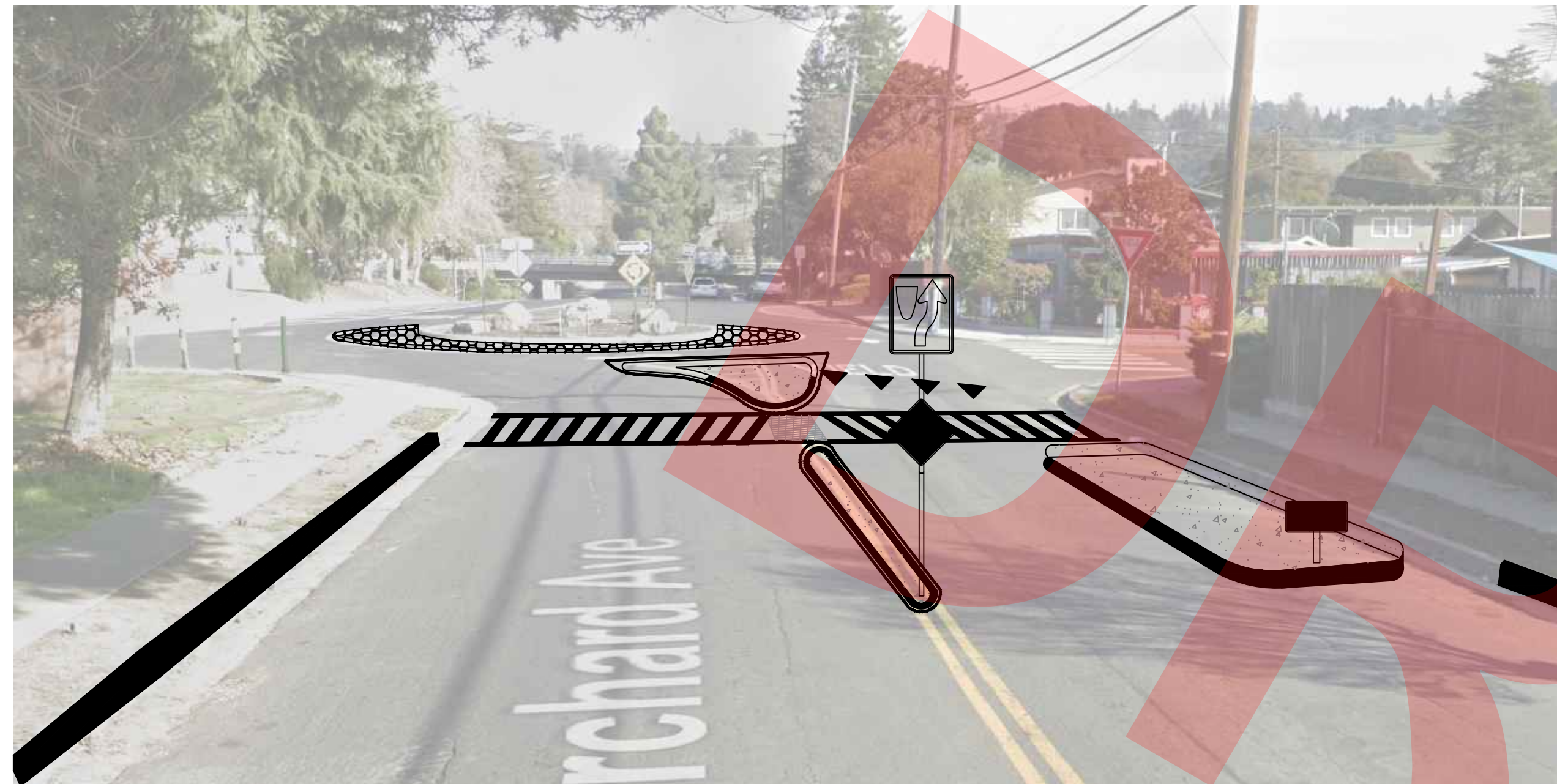
PROJECT NOTES (THIS SHEET ONLY):

- 1 FURNISH AND INSTALL WHITE PLASTIC BOLLARDS AT 24' O.C SPACING.
- 2 FURNISH AND INSTALL WHITE THERMOPLASTIC DETAIL 27B TRAFFIC STRIPE PER CALTRANS PLAN SHEET A20B.
- 3 FURNISH AND INSTALL WHITE THERMOPLASTIC DETAIL 9 TRAFFIC STRIPE PER CALTRANS PLAN SHEET A20A.
- 4 FURNISH AND INSTALL NEW W4-2 SIGN AND POST.
- 5 FURNISH AND INSTALL NEW W9-1 SIGN AND POST
- 6 REMOVE AND SALVAGE EXISTING W4-2 SIGN AND POST.
- ↖ FURNISH AND INSTALL WHITE THERMOPLASTIC TYPE VI ARROW PER CALTRANS STANDARD PLAN SHEET A24A.
- 7 FURNISH AND INSTALL NEW YELLOW SHUR CURB TRAFFIC SEPARATOR AT EXISTING DETAIL 22.
- 8 FURNISH AND INSTALL NEW PAINTED BULB OUT WITH WHITE PLASTIC BOLLARDS.

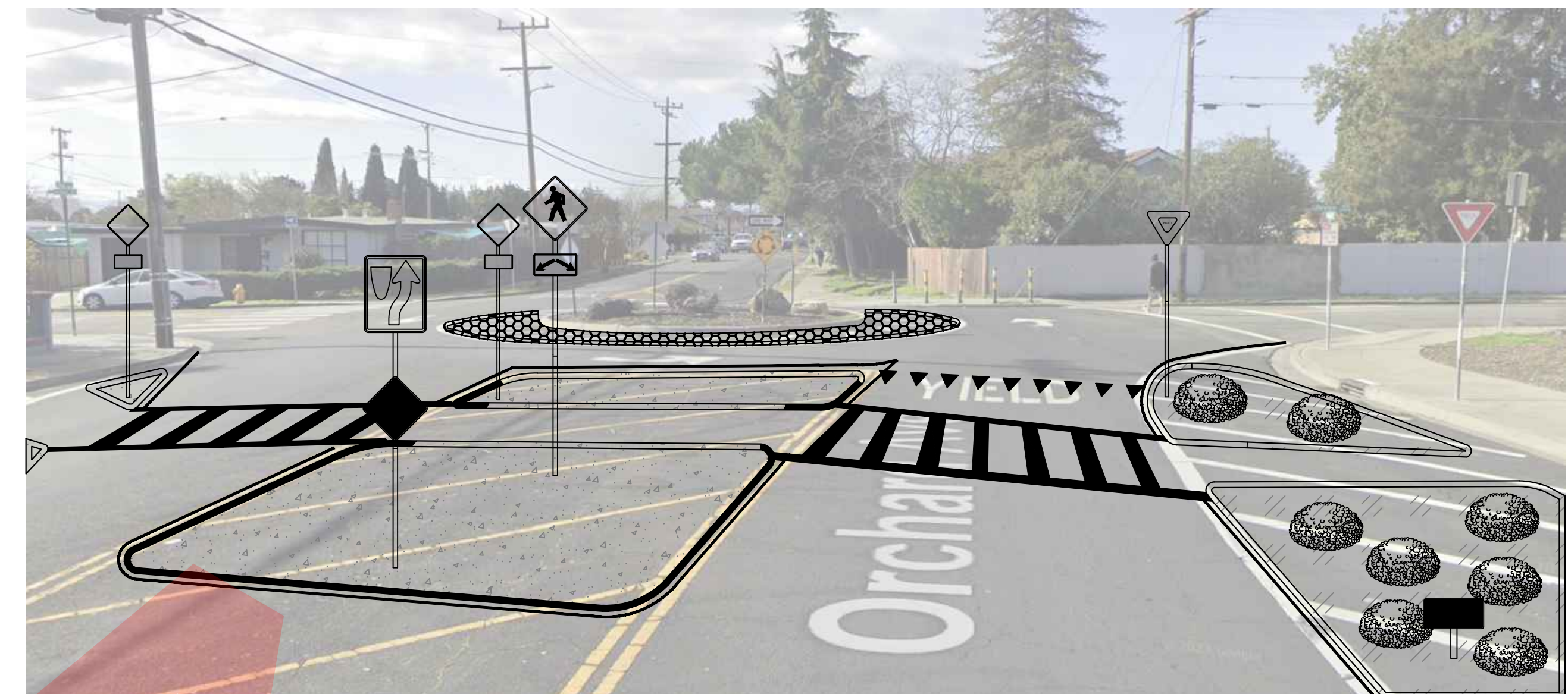
NOTES:
 1. ALL EXISTING UTILITIES WERE PLOTTED FROM RECORD INFORMATION AND FIELD TOPOGRAPHY. ACTUAL LOCATIONS MAY VARY AND ADDITIONAL CROSSINGS MAY EXIST IN THE FIELD. IT IS IMPERATIVE THAT U.S.A. LOCATING SERVICES' LOCATE AND MARK EXISTING UTILITIES PRIOR TO THE START OF EXCAVATION.
 2. THE CONTRACTOR SHALL USE EXTREME CAUTION WHEN EXPOSING EXISTING UTILITY CROSSINGS AND SERVICES.
 3. ANY DAMAGE TO EXISTING UTILITIES WILL BE THE SOLE RESPONSIBILITY OF THE CONTRACTOR.



<p>ADVANCED MOBILITY GROUP 3003 OAK ROAD, SUITE 100 WALNUT CREEK, CA 94597</p>	DESIGNED	R.SABINIANO					BENCHMARK	DESIGN CONCEPT ORCHARD AVE & ONEIL IMPROVEMENT PLAN	CITY OF HAYWARD PUBLIC WORKS DEPARTMENT	PJ NO.
	DRAWN	R.SABINIANO								SHEET 3 OF 6
	CHECKED	C.HIGBEE								DWG.
	DATE	9/15/2023								
SCALE	1:20	NO.	REVISION	BY	APP.					



STREET VIEW A DESIGN CONCEPT (TYPICAL APPLICATION)



STREET VIEW B DESIGN CONCEPT (TYPICAL APPLICATION)

NOTES:

1. ALL EXISTING UTILITIES WERE PLOTTED FROM RECORD INFORMATION AND FIELD TOPOGRAPHY. ACTUAL LOCATIONS MAY VARY AND ADDITIONAL CROSSINGS MAY EXIST IN THE FIELD. IT IS IMPERATIVE THAT U.S.A. LOCATING SERVICES' LOCATE AND MARK EXISTING UTILITIES PRIOR TO THE START OF EXCAVATION.
2. THE CONTRACTOR SHALL USE EXTREME CAUTION WHEN EXPOSING EXISTING UTILITY CROSSINGS AND SERVICES.
3. ANY DAMAGE TO EXISTING UTILITIES WILL BE THE SOLE RESPONSIBILITY OF THE CONTRACTOR.



Know what's below.
Call before you dig.



ADVANCED MOBILITY GROUP
3003 OAK ROAD, SUITE 100
WALNUT CREEK, CA 94597

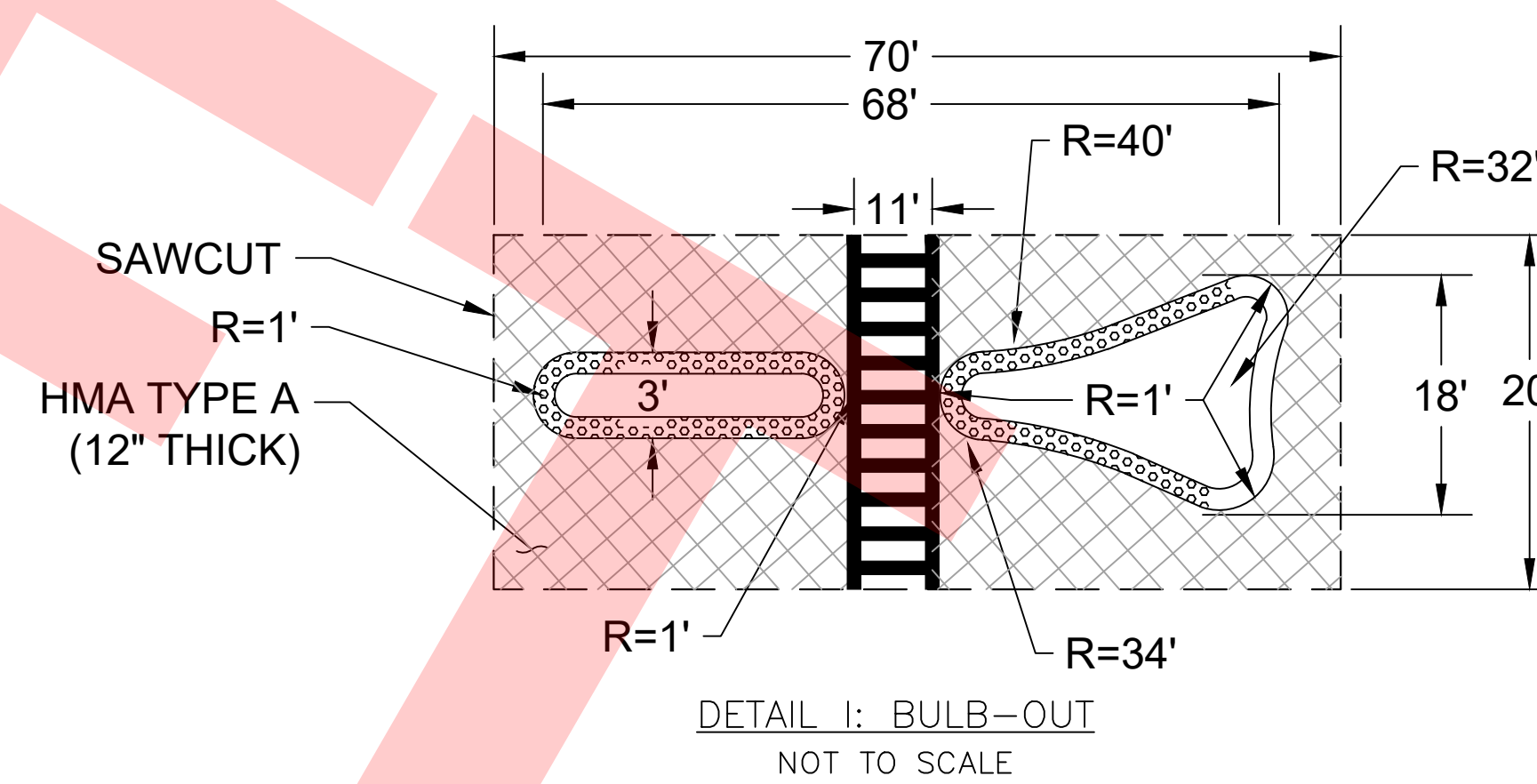
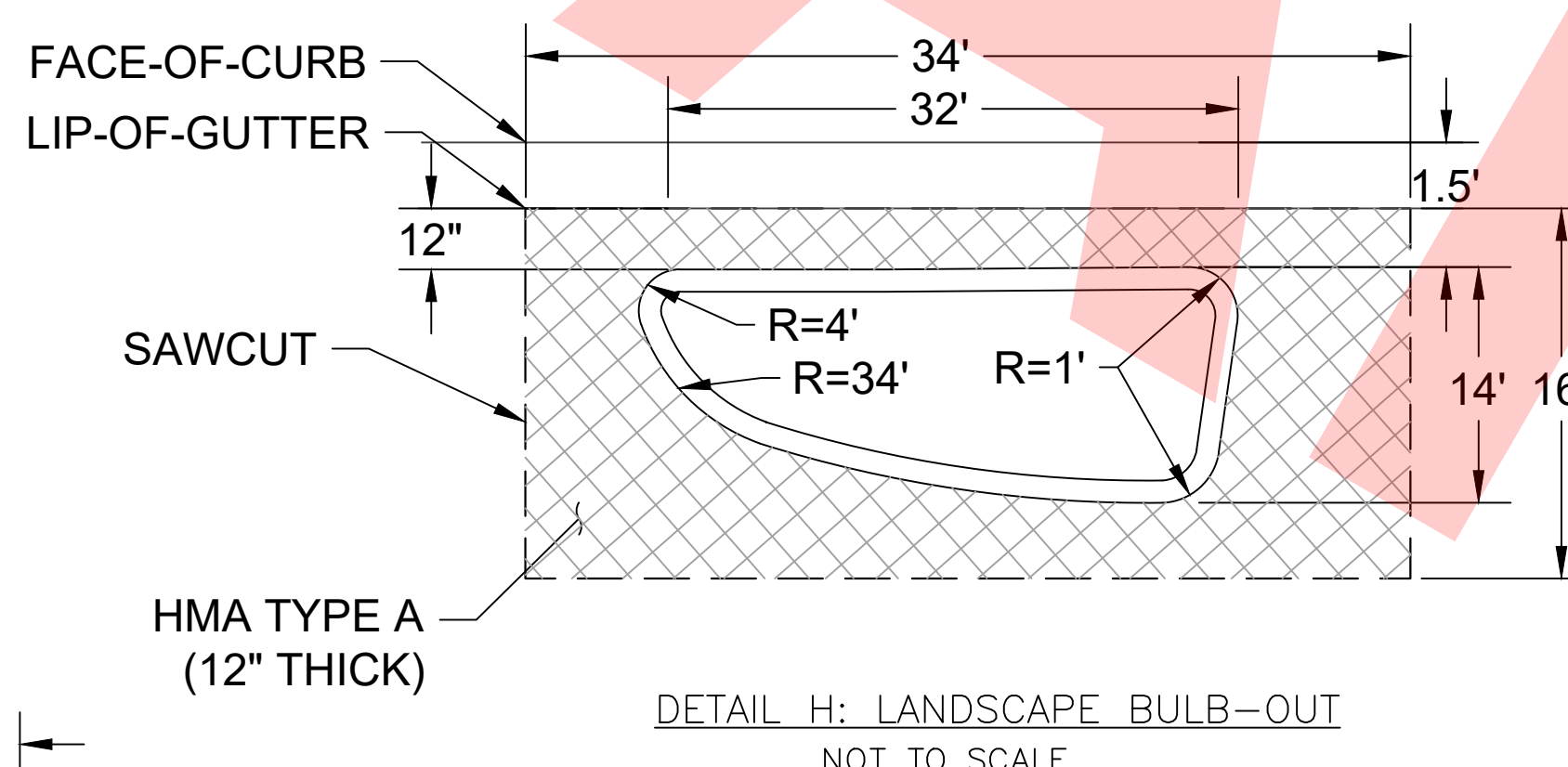
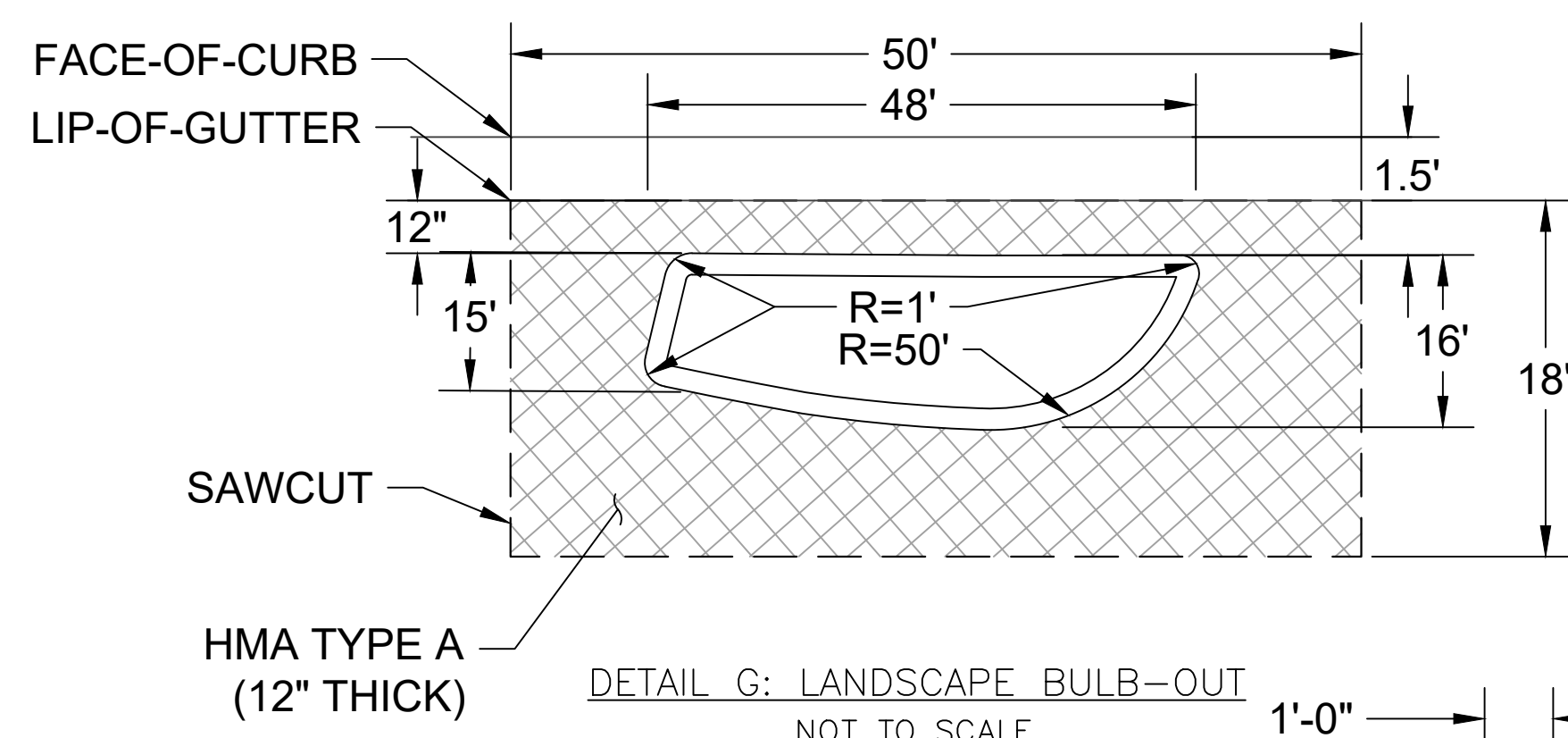
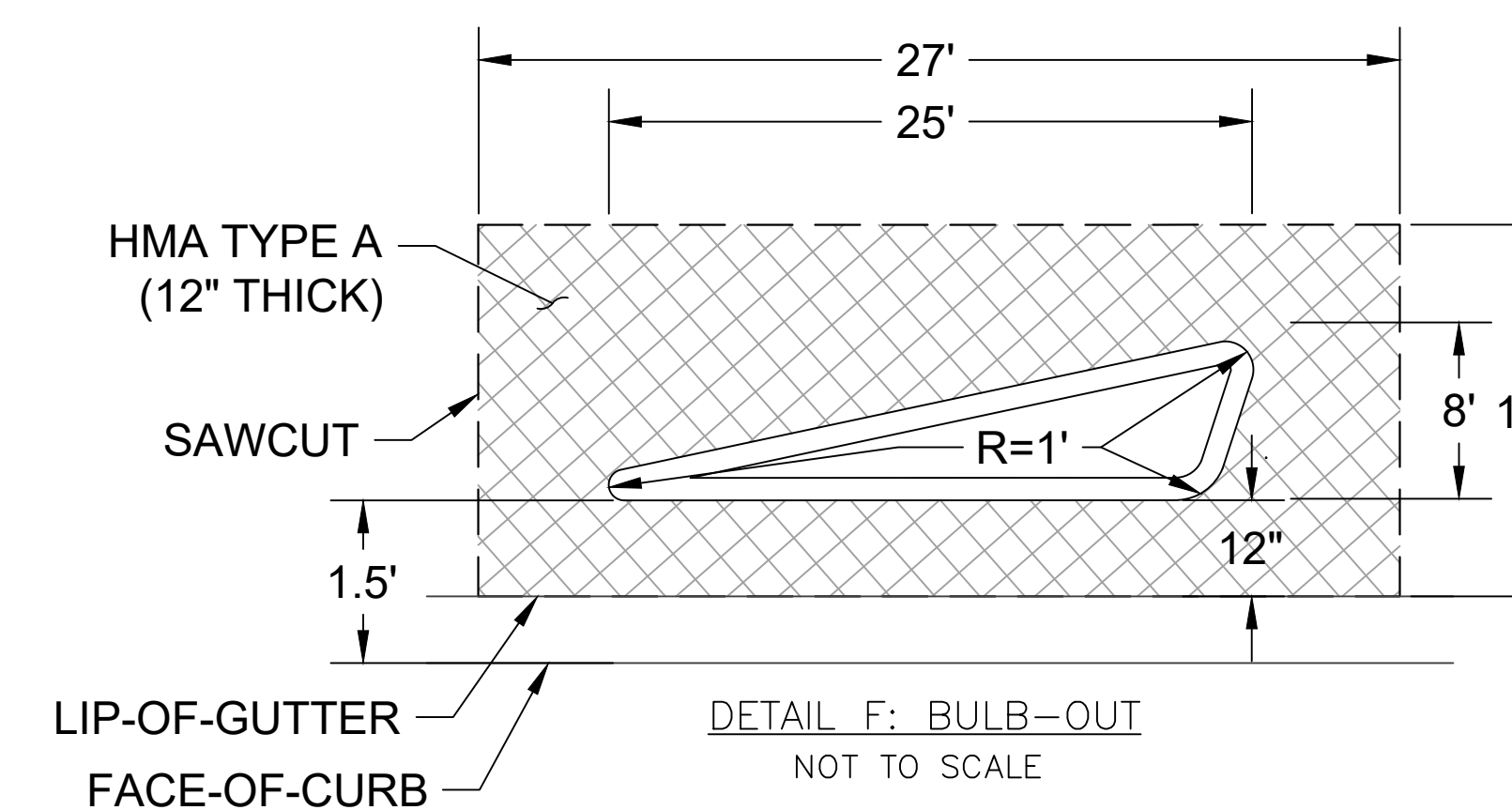
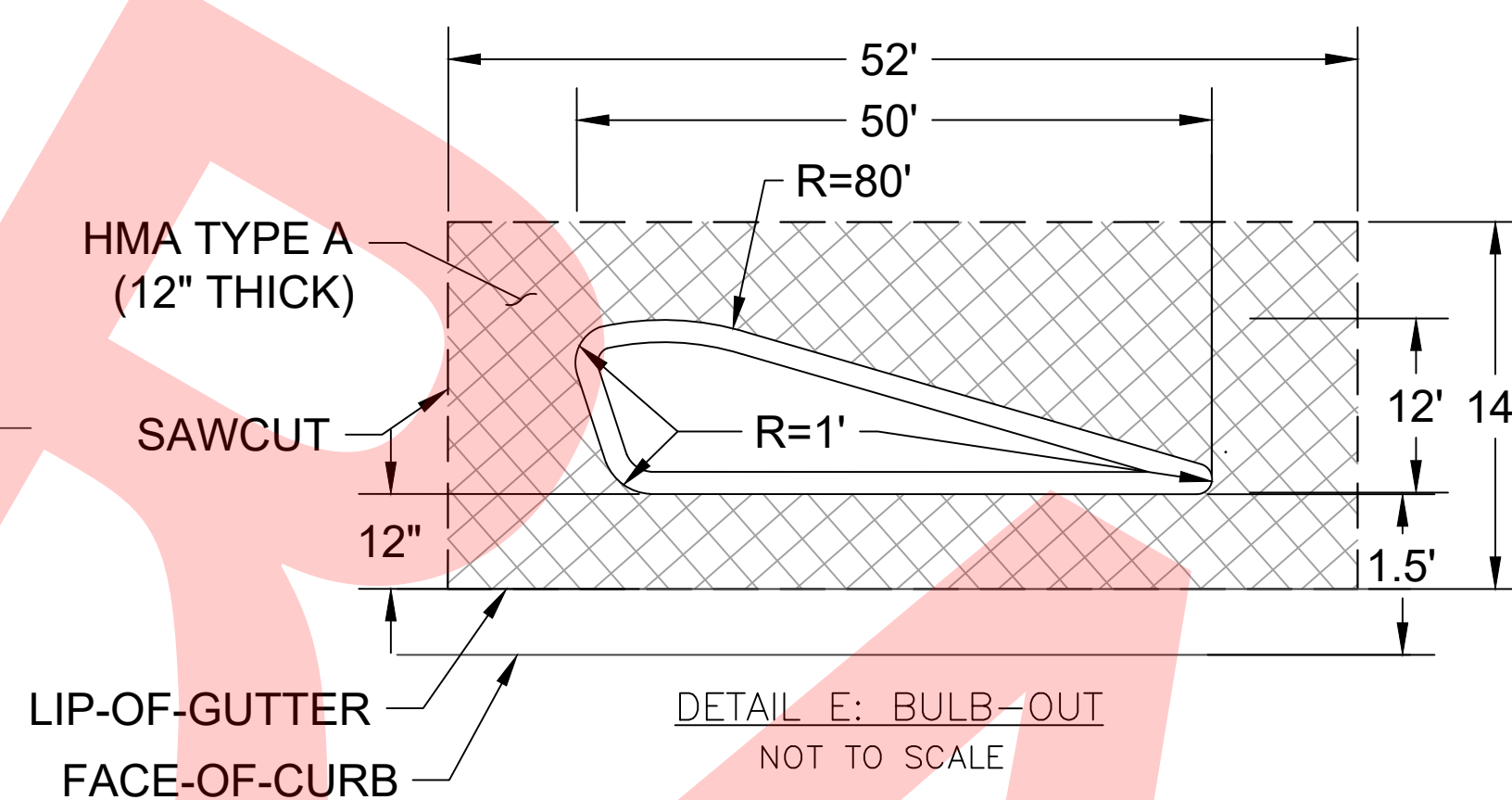
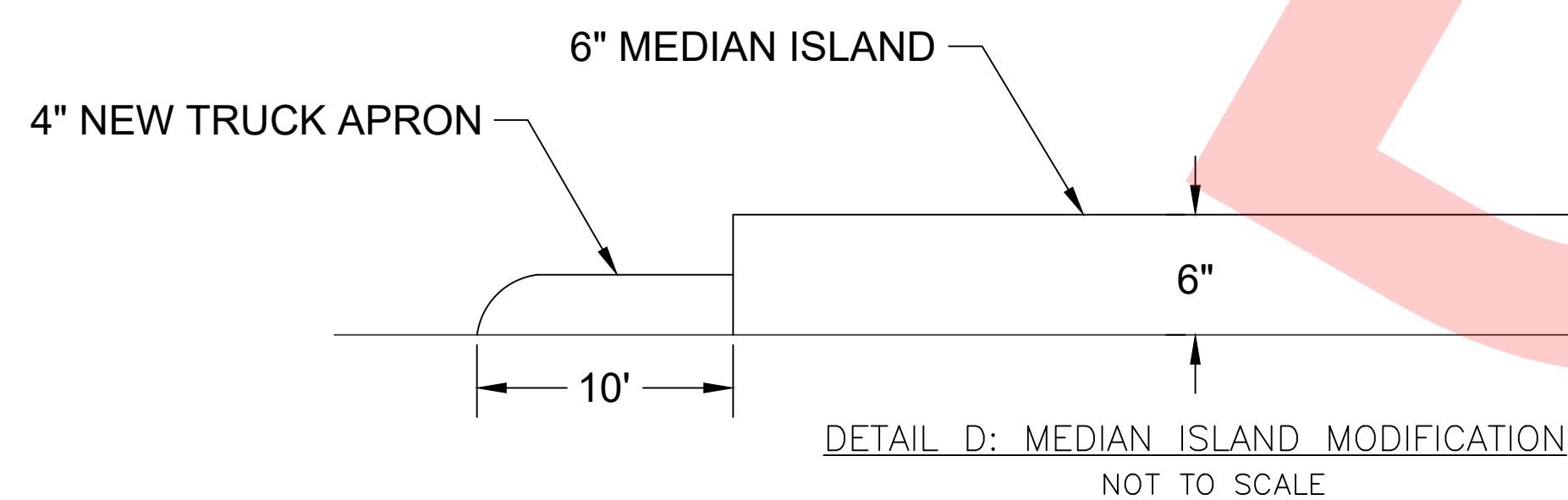
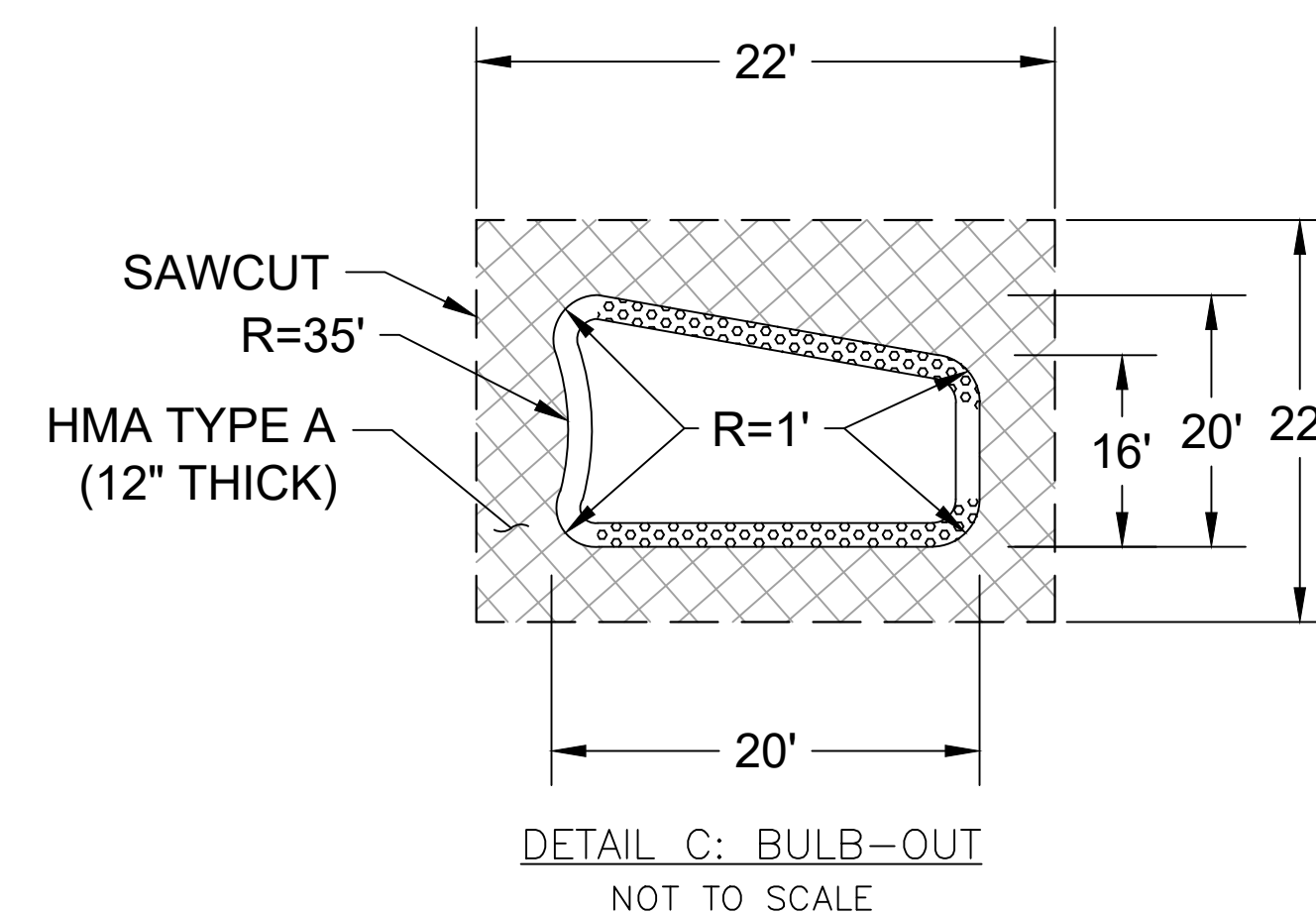
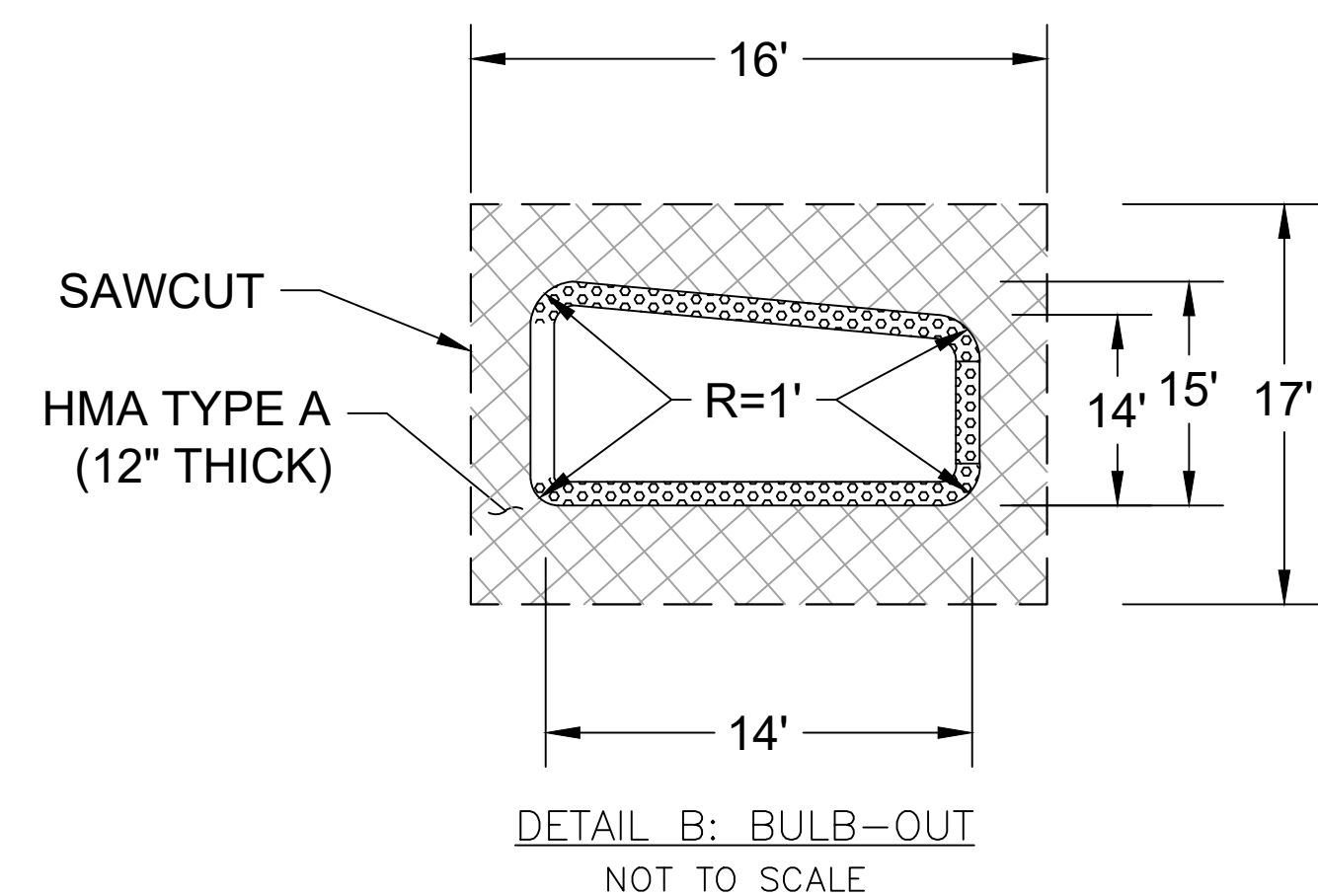
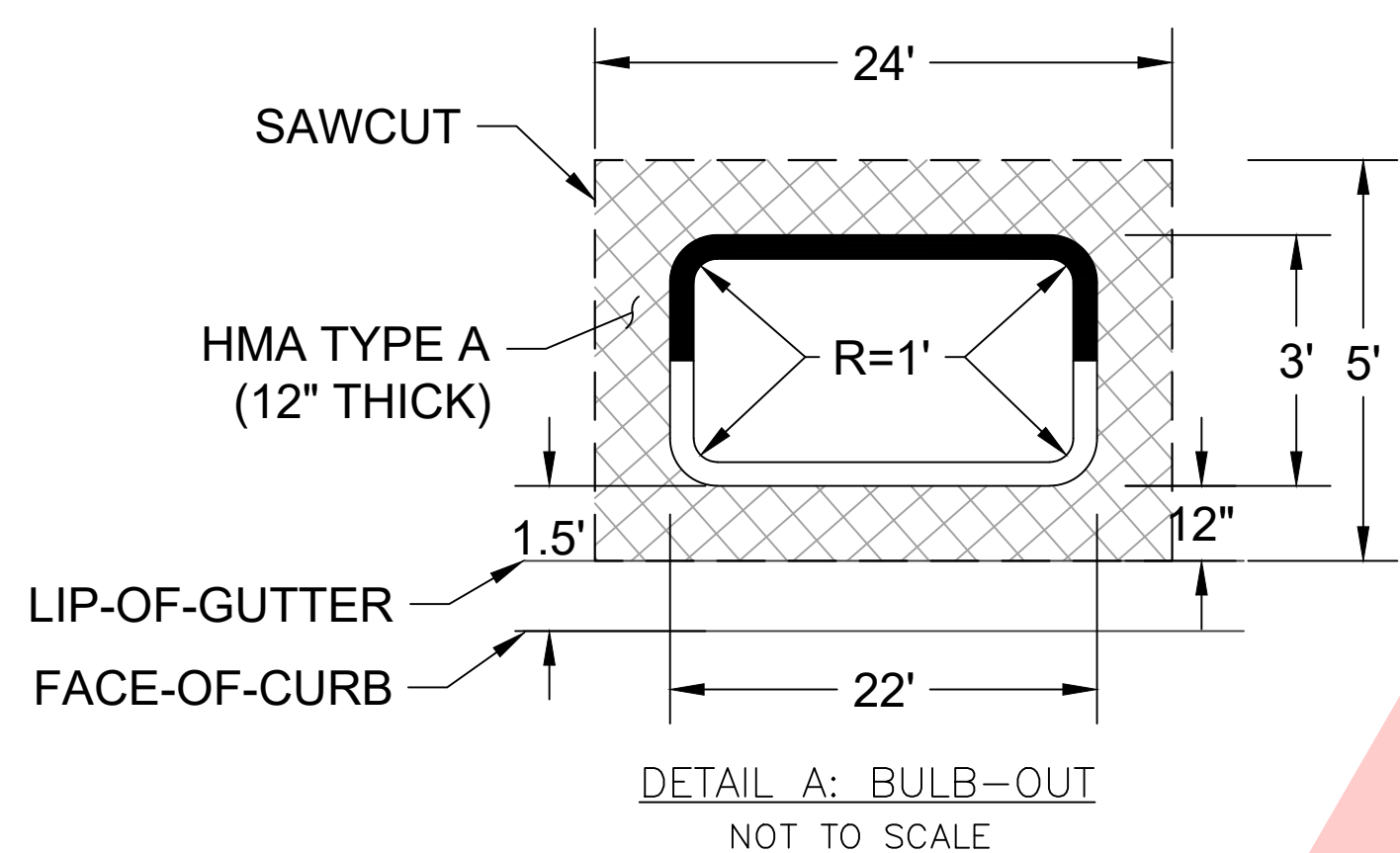
DESIGNED	R.SABINIANO					
DRAWN	R.SABINIANO					
CHECKED	C.HIGBEE					
DATE	9/15/2023					
SCALE	N/A	NO.	REVISION	BY	APP.	

BENCHMARK

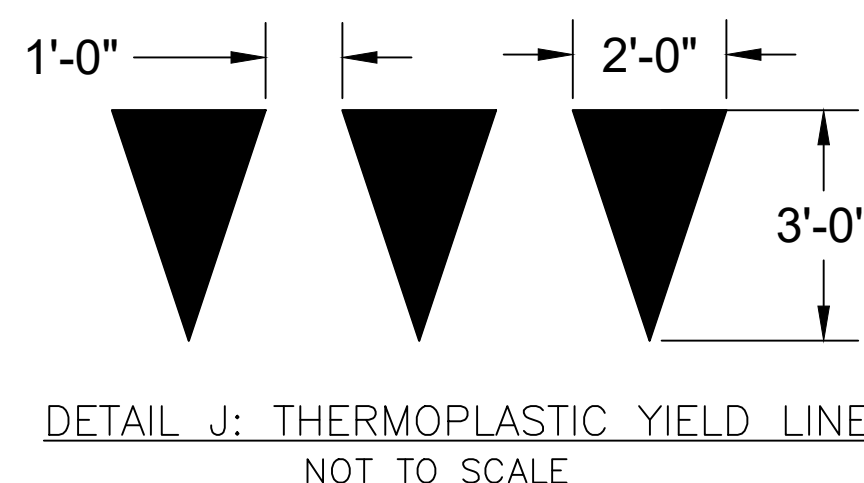
DESIGN CONCEPT
ORCHARD AVE & JOYCE ST DESIGN CONCEPT

CITY OF HAYWARD
PUBLIC WORKS DEPARTMENT

PJ NO.
SHEET 4 OF 6
DWG.



- NOTES:**
1. ALL EXISTING UTILITIES WERE PLOTTED FROM RECORD INFORMATION AND FIELD TOPOGRAPHY. ACTUAL LOCATIONS MAY VARY AND ADDITIONAL CROSSINGS MAY EXIST IN THE FIELD. IT IS IMPERATIVE THAT U.S.A. LOCATING SERVICES LOCATE AND MARK EXISTING UTILITIES PRIOR TO THE START OF EXCAVATION.
 2. THE CONTRACTOR SHALL USE EXTREME CAUTION WHEN EXPOSING EXISTING UTILITY CROSSINGS AND SERVICES.
 3. ANY DAMAGE TO EXISTING UTILITIES WILL BE THE SOLE RESPONSIBILITY OF THE CONTRACTOR.



- LEGEND (THIS SHEET ONLY):**
- RED CURB PAINT
 - ☒ YELLOW CURB PAINT WITH YELLOW REFLECTORS



ADVANCED MOBILITY GROUP
3003 OAK ROAD, SUITE 100
WALNUT CREEK, CA 94597

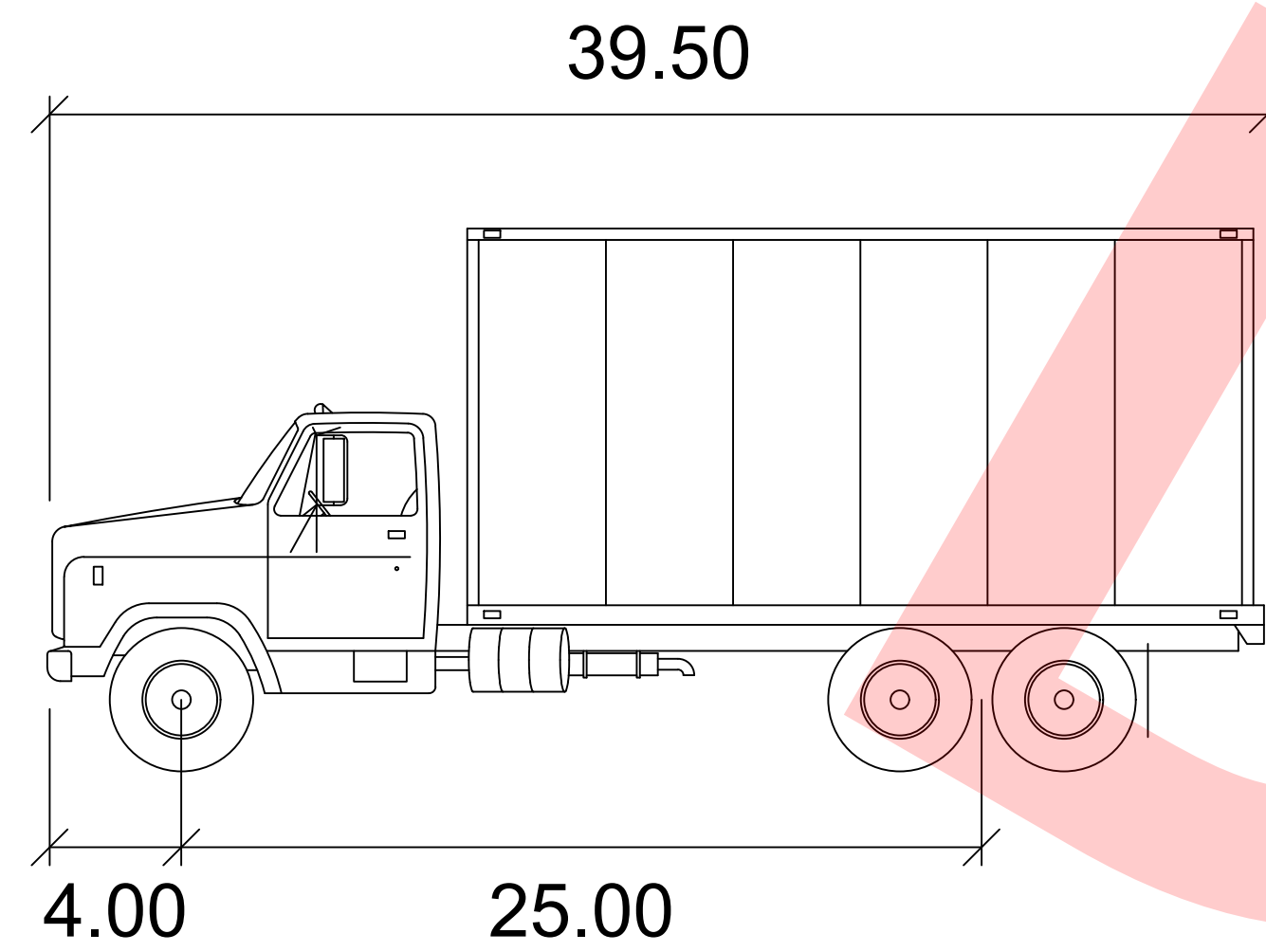
DESIGNED	R.SABINIANO				
DRAWN	R.SABINIANO				
CHECKED	C.HIGBEE				
DATE	9/15/2023				
SCALE	N/A	NO.	REVISION	BY	APP.

BENCHMARK

DESIGN CONCEPT
ORCHARD AVE & JOYCE ST DETAILS PLAN

CITY OF HAYWARD
PUBLIC WORKS DEPARTMENT

PJ NO.
SHEET 5 OF 6
DWG.



SU-40

feet

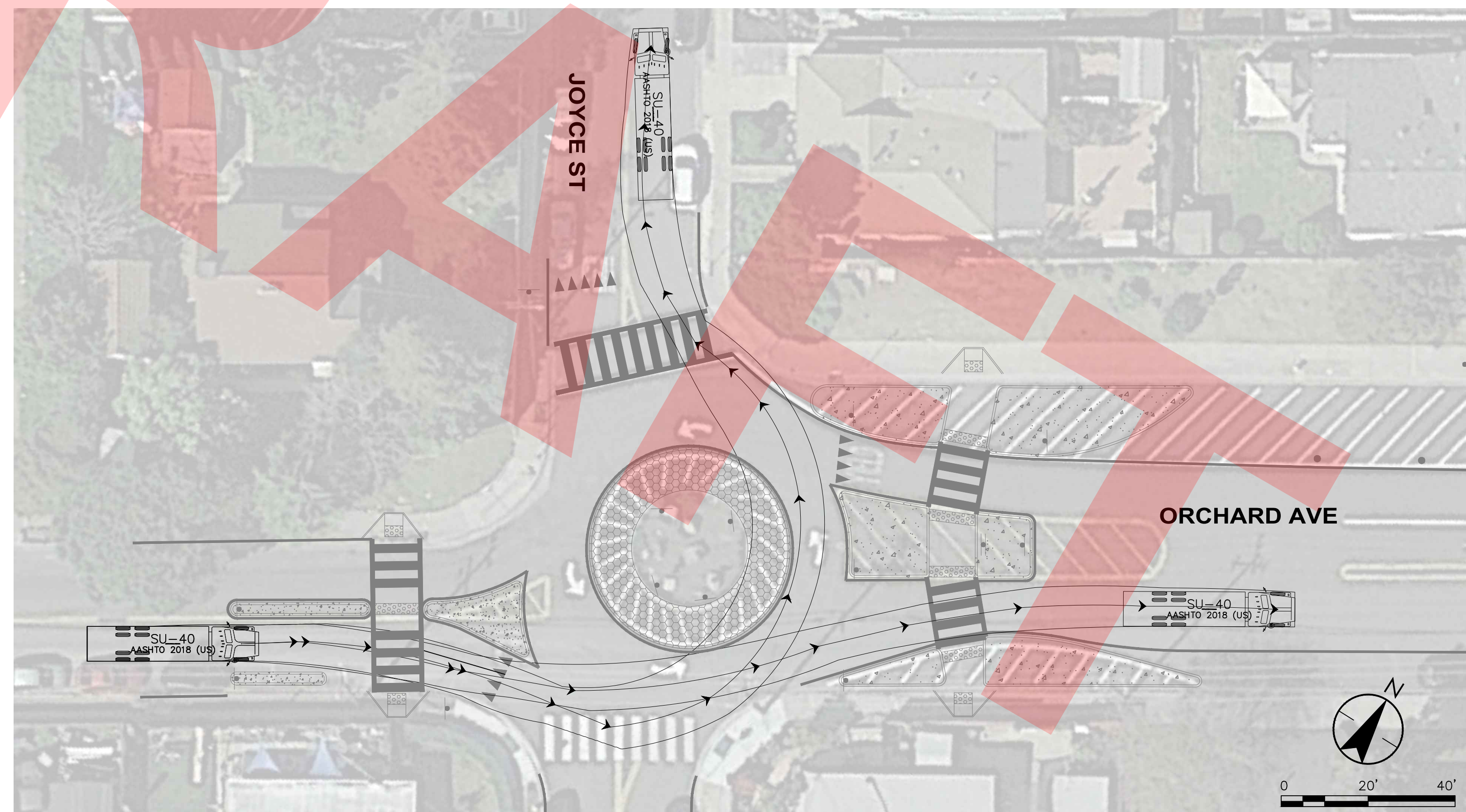
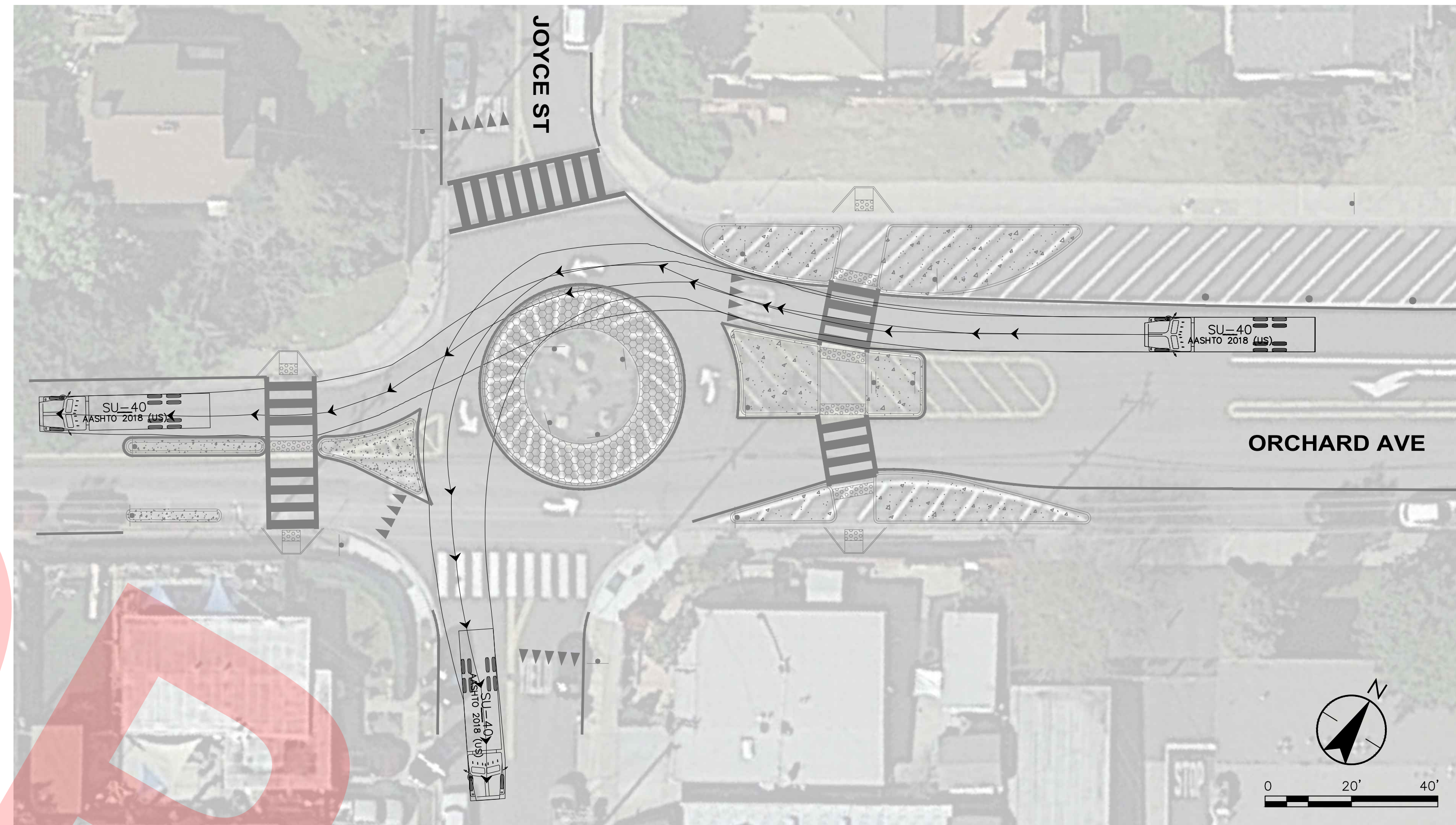
- Width : 8.00
- Track : 8.00
- Lock to Lock Time : 6.0
- Steering Angle : 31.8

NOTES:

1. ALL EXISTING UTILITIES WERE PLOTTED FROM RECORD INFORMATION AND FIELD TOPOGRAPHY. ACTUAL LOCATIONS MAY VARY AND ADDITIONAL CROSSINGS MAY EXIST IN THE FIELD. IT IS IMPERATIVE THAT "U.S.A. LOCATING SERVICES" LOCATE AND MARK EXISTING UTILITIES PRIOR TO THE START OF EXCAVATION.
2. THE CONTRACTOR SHALL USE EXTREME CAUTION WHEN EXPOSING EXISTING UTILITY CROSSINGS AND SERVICES.
3. ANY DAMAGE TO EXISTING UTILITIES WILL BE THE SOLE RESPONSIBILITY OF THE CONTRACTOR.



Know what's below.
Call before you dig.



ADVANCED MOBILITY GROUP
3003 OAK ROAD, SUITE 100
WALNUT CREEK, CA 94597

DESIGNED	R.SABINIANO				
DRAWN	R.SABINIANO				
CHECKED	C.HIGBEE				
DATE	9/15/2023				
SCALE	1:20	NO.	REVISION	BY	APP.

BENCHMARK

DESIGN CONCEPT
ORCHARD AVE & JOYCE ST TRUCK TURN TEMPLATE

CITY OF HAYWARD
PUBLIC WORKS DEPARTMENT

PJ NO.
SHEET 6 OF 6
DWG.